



**METS ENERGY** S A L

Model	MP2-130-W		NA			
Frequency/Speed - Voltage	50HZ/1500 RPM- 230/400V		60HZ/1800 RPM- 230/400V		60HZ/1800 RPM- 277/480V	
Prime Power	130 KVA	104 KW	NA	NA	NA	NA
Standby Power	143 KVA	114.4 KW	NA	NA	NA	NA



Image for illustration purposes only.

### Features

<b>Engine</b>	Perkins ,1106A-E70TG1 , Made in UK, in accordance to ISO3046 ,ISO8528,DIN6271
<b>Alternator</b>	WEG,GTA251AIHD , complying to the norms IEC 60034 - NBR 5117 - NEMA MG1 - VDE530 - ISO8528 - CSA
<b>Control Panel</b>	Deep sea, M-DCM-317B ,Made in UK, complying to the norms: comply to the norms BS EN 61000, BS EN 60950, BS EN 60068
<b>Base Frame</b>	Black steel with Anti-vibration pads, Built in fuel tank
<b>Sound Proof Canopy</b>	Modular SPC, Powder Coated, Extremely Durable, Designed to Reduce Sound Level with Maximum Service Accessibility and Minimum Foot Prints
<b>Worldwide Support</b>	Mets Energy Products are distributed through its PowerMets International Network For more information kindly check our website <a href="http://www.metsenergy.com">www.metsenergy.com</a>

### Rating Definitions and Conditions

<b>Prime Rating</b>	The power available for an unlimited hour usage with an average load factor of 80% of the published prime power over each 24 hours period. A 10 % overload is available for 1Hr every 12 hours.
<b>Standby Rating</b>	The power limited to 500 hours annual usage with an average load factor of 80% of the published standby power rating over each 24-hour period. Up to 300 hours of annual usage may be run continuously. No overload is permitted on standby power. <b>KVA Rating @ 0.8 P.F</b>

Due to continuous product development, we reserve the right to change specifications at any time without prior notice.

Rev0\_MP2-130-W\_150213



<b>Engine Perkins, 1106A-E70TG1, 4 Stroke Cycle, Diesel</b>			
<b>Structure</b>	<b>Number of Cylinders</b>	6	
	<b>Engine Build</b>	In line	
	<b>Bore</b>	105 mm	
	<b>Stroke</b>	135 mm	
	<b>Displacement</b>	7.01 L	
	<b>Compression Ratio</b>	18.2:1	
	<b>Aspiration</b>	Turbocharged	
	<b>Cooling</b>	Water	
<b>Fuel</b>	<b>Fuel Tank</b>	<b>1500 rpm</b> Built in fuel tank	<b>1800 rpm</b>
		TBA for	
		TBAhours	NA
		operation @ full load	
	<b>Fuel System</b>	Direct injection	
	<b>Fuel Recommended</b>	N°2 Diesel	
	<b>Fuel System Make (ECM)</b>	-	
		<b>1500 rpm</b>	<b>1800 rpm</b>
		TBA	
		<b>Delivery Flow Rate (l/hr)</b>	TBA
	<b>Fuel Consumption</b>		
	<b>100% Load (g/kWh-L/hr)</b>	203 (30.28)	NA
	<b>75% Load (g/kWh-L/hr)</b>	204.5 (22.7)	NA
	<b>50% Load (g/kWh-L/hr)</b>	213.9 (15.9)	NA
<b>Cooling system</b>	<b>Engine Coolant Capacity</b>	21L	
	<b>Air Flow-Radiator</b>	4400 l/s	NA
	radiator with 50 degree ambient capability		
	Cooling Package & Air Cleaner Kit Thermostatically-controlled system		
<b>Air Inlet</b>	<b>Air Intake Engine</b> (Clean Filter/Dirty)	3/ 5 KPa	
<b>Exhaust System</b>	<b>Exhaust Gas Temperature (Prime)</b>	576 °C	NA
	<b>Exhaust Gas Flow (Prime)</b>	315 l/s	NA
	<b>Maximum Exhaust System Back Pressure</b>	6 kPa	NA
	<b>Muffler</b>	residential (20→25 dB)	industrial(15→25 dB)
<b>DC System-Starting/Charging</b>	<b>Cranking Battery Voltage</b>	12 V	
	<b>Battery Charging Alternator</b>	65 A	
	Dc Voltage Monitoring via control panel		
<b>Heat Rejection(prime)</b>	<b>Radiated Heat to Ambient (Prime)</b>	5 kW	NA
	<b>Heat Rejection to Coolant (Prime)</b>	74.9 kW	NA
	<b>Heat Rejection to Exhaust (Prime)</b>	89.8 kW	NA
	<b>Heat Rejection to intercooler (prime)</b>	12.5 kW	NA
<b>Lube System</b>	<b>Lubricating System Oil Capacity</b>	16.5 L	
<b>Governor</b>	Mechanical		




**METS ENERGY** S A L

**Alternator Wegg, GTA251AIHD**

<b>Structure</b>	<b>Insulation System</b>	Class H	
	<b>Winding Pitch</b>	2/3 to minimize harmonics effects	
	<b>Number of Poles</b>	4	
	<b>Number of Bearings</b>	Single bearing	
	<b>Winding Leads</b>	12	
	<b>Power Factor</b>	0.8	
	<b>Over Speed Capability (% of</b>	2250 Rpm (125%)	
	<b>Wave Form Distortion</b>	THD(Total Harmonic Distortion)@ No load < 5.0%	
	<b>Telephone Interference</b>	TIF < 3%	
	<b>IP Rating (Protection)</b>	IP21	
<b>AVR</b>	Excitation with auxiliary coil		
<b>Synchronous, 3 phase, Brushless &amp; Self ventilated</b>			
		<b>1500 rpm</b>	<b>1800 rpm</b>
<b>Power Switching</b>	3-P Circuit Breaker, MCCB	200A	NA
<b>Temperature</b>	<b>Temperature Rise</b>	125/40 °C	
<b>Control &amp; Voltage Regulator</b>	<b>Control System (Standard)</b>	Excitation with auxiliary coil	
	<b>Voltage Regulator (AVR)</b>	GRT7-TH4E(5A E9)	
	<b>% Of Voltage Regulation</b>	± 0.5 %	
<b>Motor Starting Capacity@30%</b>	if voltage 230/400V	TBA	
<b>Voltage Dip</b>	if voltage 277/480V	TBA	

**Standard Controller, M-DCM-317B**

<b>Control</b>	<ul style="list-style-type: none"> <li>Auto/Start/Stop Control</li> <li>Emergency Stop Pushbutton/ Alarm Acknowledge</li> <li>Engine Cool Down Timer</li> <li>Warm-up Timer</li> <li>Load Switching Timer</li> <li>Engine Cycle Crank</li> </ul>	
<b>Indications</b>	<ul style="list-style-type: none"> <li>Operating Hours</li> <li>3 Phase Generator Voltage Sensing &amp; Monitoring</li> <li>Current Protection &amp; Monitoring</li> <li>Power Measurement (kW, kVA, kVA<sub>r</sub>, kWh, kVAh, kVA<sub>r</sub>h, pf)</li> <li>Frequency Monitoring (Hz)</li> <li>Oil Pressure/Coolant Temperature/Fuel Level Monitoring</li> <li>Battery Voltage Monitoring (DC)</li> <li>Alarm Acknowledge</li> </ul>	
<b>Warning &amp; Shutdown Alarms</b>	<ul style="list-style-type: none"> <li>Generator Over/Under Voltage &amp; Frequency</li> <li>Crank Disconnect (Failure to Start)</li> <li>Under/Over Speed</li> <li>Over Current</li> <li>Low oil pressure</li> <li>High Water Temperature</li> <li>Low Fuel Level</li> <li>Low Water Level</li> </ul>	
<b>Features</b>	<ul style="list-style-type: none"> <li>IP 65 (if ordered with gasket)</li> <li>Basic Scheduler</li> <li>8-35 VDC Supply</li> <li>Digital Inputs(4)- Outputs(4 MPU/ 6 CAN)</li> <li>Event Log (5 shutdowns)</li> </ul>	

**Optional Accessories**

<b>Alternator</b>	<ul style="list-style-type: none"> <li>AVR (3 phase Sensing)</li> <li>Reactive Droop</li> <li>Winding Temperature Detectors</li> <li>Anti- Condensation Heaters</li> <li>Excitation with auxiliary exciter (PMG)</li> </ul>
<b>Power Switching</b>	<ul style="list-style-type: none"> <li>4-P Circuit Breaker</li> <li>Special Brands (ABB- MG- Siemens...)</li> <li>Motorized Operation</li> <li>Shunt Trip</li> <li>Under Voltage Trip UVT</li> <li>Residual Current Protection</li> <li>Ground Fault Protection</li> <li>Earthing Kit</li> <li>Surge Arrestor</li> </ul>

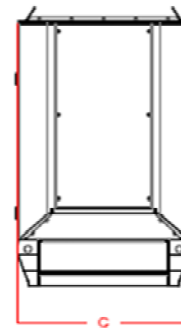
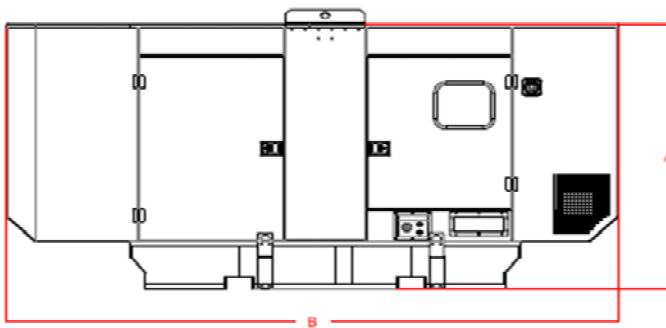
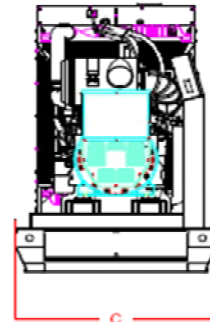
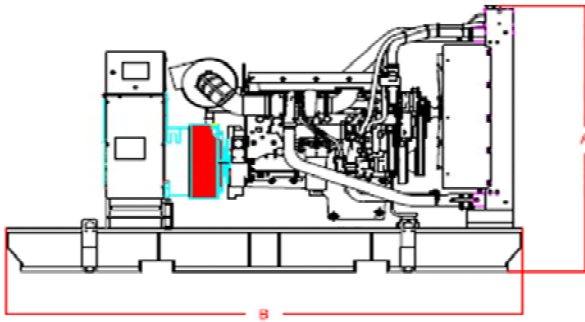


**Optional Accessories**<sup>(continues)</sup>

	<ul style="list-style-type: none"> <li>Micro-Diesel Filter for Micro-Particles Filtration</li> <li>Automatic Fuel Refilling System</li> <li>Fuel Water Separator <b>(2000/5)</b></li> <li>Mechanical Fuel Level Kit</li> <li>Oversize Fuel Tank Upon Custom Requirements</li> <li>Fuel Tanks-Pipes Heater</li> </ul>
<b>Engine</b>	<b>Air Inlet</b> Sy-klone Air Cleaner Installed @ Air Intake System
	<b>Exhaust</b> Muffler: Critical (25→30 dB) Hospital (35→40 dB) Elbow, Flanges, Expanders & Y Adaptors
	<b>Cooling / Heating</b> Radiator with 35 °C or 60 °C Ambient Capability Jacket Water Heater
	<b>Lube</b> Manual Sump Drain Pump Semi-Rotator Hand Pump
	<b>DC System - Starting/Changing</b> Mains Battery Charger 24 V DC-5A Battery Charger 10A-20A on Request Automatic Battery Charger on Request Battery Disconnecter Switch DC/AC Current Monitoring (Ammeter) Oversize Battery
	<b>Control Panel</b> DSE 7310/7320/7410/7420-More Inputs & Outputs-Advanced Communications Features; DSE 8610/8710/8810- Load Share Module; Digital & Analogues Inputs Module DSE 2130 (for 7000 Series & Above); Analogue Inputs advanced Module DSE 2131-2133(for 7410 &Above); Digital relay Outputs Module DSE 2157 (for 7000 Series &Above); Analogue Outputs Module DSE 2152 (for 7410 & Above); Local & Remote enunciator Module DSE 2548 (for 7000 Series & Above); Display Modules DSE 2510/2520 (with 7310-7320); Remote Monitoring via: Web Interface (All Series), GSM (for 7000 Series & Above), RS485 (for 7000 Dry Contacts Alarm Indication for Customer Use Audible Alarm (Option for 6010/20; Standard for 7000 Series & Above); Voltage Adjust Potentiometer; Speed Adjust Potentiometer;

## Dimensions & Weights

	Length (mm)	Width (mm)	Height (mm)	Weight Dry
Open set (NB)	2520	1100	1590	1408
SPC Type S	3604	1100	1877	1970



Drawings for illustration purposes only.

[WWW.METSENERGY.com](http://WWW.METSENERGY.com)