



METS ENERGY S A L

Model	MP2-250-W		MP2-295@6-W			
Frequency/Speed - Voltage	50HZ/1500 RPM- 230/400V		60HZ/1800 RPM- 230/400V		60HZ/1800 RPM- 277/480V	
Prime Power	250 KVA	200 KW	270 KVA	216 KW	295 KVA	236 KW
Standby Power	275 KVA	220 KW	297 KVA	237 KW	324.5 KVA	259.6 KW



Image for illustration purposes only.

Features

Engine	Perkins ,1506A-E88TAG3, Made in UK, in accordance to ISO3046 ,ISO8528,DIN6271
Alternator	WEG,AG10-250SI20AI , complying to the norms IEC 60034 - NBR 5117 - NEMA MG1 - VDE530 - ISO8528 - CSA
Control Panel	Deep sea, M-DCM-317B ,Made in UK, complying to the norms: comply to the norms BS EN 61000, BS EN 60950, BS EN 60068
Base Frame	Black steel with Anti-vibration pads, Built in fuel tank
Sound Proof Canopy	Modular SPC, Powder Coated, Extremely Durable, Designed to Reduce Sound Level with Maximum Service Accessibility and Minimum Foot Prints
Worldwide Support	Mets Energy Products are distributed through its PowerMets International Network For more information kindly check our website www.metsenergy.com

Rating Definitions and Conditions

Prime Rating	The power available for an unlimited hour usage with an average load factor of 80% of the published prime power over each 24 hours period. A 10 % overload is available for 1Hr every 12 hours.
Standby Rating	The power limited to 500 hours annual usage with an average load factor of 80% of the published standby power rating over each 24-hour period. Up to 300 hours of annual usage may be run continuously. No overload is permitted on standby power.
	KVA Rating @ 0.8 P.F

Due to continuous product development, we reserve the right to change specifications at any time without prior notice.

Rev0_MP2-250-W/MP2-295@6-W_150213

Engine Perkins, 1506A-E88TAG3, 4 Stroke Cycle, Diesel

Structure	Number of Cylinders	6	
	Engine Build	In line	
	Bore	112 mm	
	Stroke	149 mm	
	Displacement	8.8 L	
	Compression Ratio	16.1:1	
	Aspiration	Turbocharged	
	Cooling	A /A	
Fuel	Fuel Tank	1500 rpm Built in fuel tank 445 for 9 hours operation @ full load	1800 rpm Built in fuel tank 445 L for 8 hours operation @ full load
	Fuel System	Direct injection	
	Fuel Recommended	N°2 Diesel	
	Fuel System Make (ECM)	-	
		1500 rpm	1800 rpm
	Delivery Flow Rate (l/hr)	TBA	TBA
	Fuel Consumption		
	100% Load (g/kWh-L/hr)	199 (56)	199 (63)
	75% Load (g/kWh-L/hr)	199 (42)	199 (48)
	50% Load (g/kWh-L/hr)	208 (29)	208 (33)
Cooling system	Engine Coolant Capacity		TBA
	Air Flow-Radiator	TBA	TBA
	radiator with 50 degree ambient capability Cooling Package & Air Cleaner Kit Thermostatically-controlled system		
Air Inlet	Air Intake Engine (Clean Filter/Dirty)	TBA	
Exhaust System	Exhaust Gas Temperature (Prime)	TBA	TBA
	Exhaust Gas Flow (Prime)	TBA	TBA
	Maximum Exhaust System Back Pressure	TBA	TBA
	Muffler	residential (20→25 dB)	industrial(15→25 dB)
DC System-Starting/Charging	Stainless Steel exhaust flex-fittings		
	Cranking Battery Voltage	TBA	
	Battery Charging Alternator	TBA	
Dc Voltage Monitoring via control panel			
Heat Rejection(prime)	Radiated Heat to Ambient (Prime)	TBA	TBA
	Heat Rejection to Coolant (Prime)	TBA	TBA
	Heat Rejection to Exhaust (Prime)	TBA	TBA
	Heat Rejection to intercooler (prime)	TBA	TBA
Lube System	Lubricating System Oil Capacity	41 L	
Governor	Mechanical		



METS ENERGY S A L

Alternator Wegg,AG10-250SI20AI

Structure	Insulation System	Class H	
	Winding Pitch	2/3 to minimize harmonics effects	
	Number of Poles	4	
	Number of Bearings	Single bearing	
	Winding Leads	12	
	Power Factor	0.8	
	Over Speed Capability (% of	2250 Rpm (125%)	
	Wave Form Distortion	THD(Total Harmonic Distortion)@ No load < 5.0%	
	Telephone Interference	TIF < 3%	
	IP Rating (Protection)	IP23	
AVR	Excitation with auxiliary coil		
Synchronous, 3 phase, Brushless & Self ventilated			
		1500 rpm	1800 rpm
Power Switching	3-P Circuit Breaker, MCCB	400A	630A
Temperature	Temperature Rise	125/40 °C	
Control & Voltage Regulator	Control System (Standard)	Excitation with auxiliary coil	
	Voltage Regulator (AVR)	GRT7-TH4E(5A E9)	
	% Of Voltage Regulation	± 0.5 %	
Motor Starting Capacity@30%	if voltage 230/400V	TBA	
Voltage Dip	if voltage 277/480V	TBA	

Standard Controller, M-DCM-317D



Control	<ul style="list-style-type: none"> Auto/Start/Stop Control Emergency Stop Pushbutton/ Alarm Acknowledge Engine Cool Down Timer Warm-up Timer Load Switching Timer Engine Cycle Crank
Indications	<ul style="list-style-type: none"> Operating Hours 3 Phase Generator Voltage Sensing & Monitoring Current Protection & Monitoring Power Measurement (kW, kVA, kVAr, kWh, kVAh, kVArh, pf) Frequency Monitoring (Hz) Oil Pressure/Coolant Temperature/Fuel Level Monitoring Battery Voltage Monitoring (DC) Alarm Acknowledge
Warning & Shutdown Alarms	<ul style="list-style-type: none"> Generator Over/Under Voltage & Frequency Crank Disconnect (Failure to Start) Under/Over Speed Over Current Low oil pressure High Water Temperature Low Fuel Level Low Water Level
Features	<ul style="list-style-type: none"> IP 65 (if ordered with gasket) Basic Scheduler 8-35 VDC Supply Digital Inputs(4)- Outputs(4 MPU/ 6 CAN) Event Log (5 shutdowns)

Optional Accessories

Alternator	<ul style="list-style-type: none"> AVR (3 phase Sensing) Reactive Droop Winding Temperature Detectors Anti- Condensation Heaters Excitation with auxiliary exciter (PMG)
Power Switching	<ul style="list-style-type: none"> 4-P Circuit Breaker Special Brands (ABB- MG- Siemens...) Motorized Operation Shunt Trip Under Voltage Trip UVT Residual Current Protection Ground Fault Protection Earthing Kit Surge Arrestor

Optional Accessories (continues)

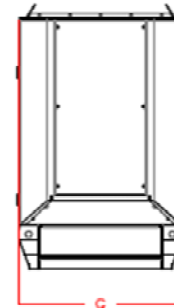
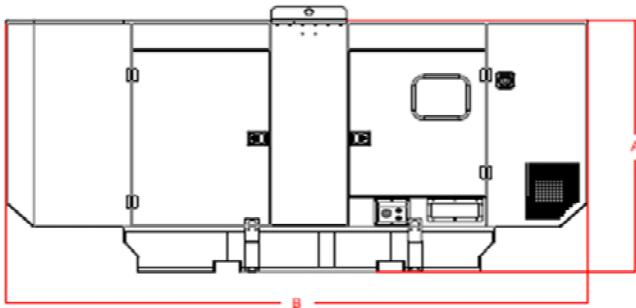
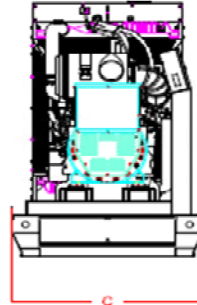
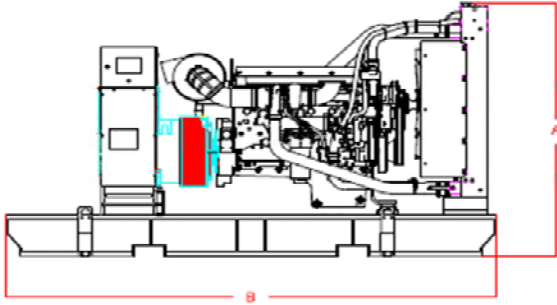
	<p>Micro-Diesel Filter for Micro-Particles Filtration Automatic Fuel Refilling System Fuel Water Separator (2000/10) Mechanical Fuel Level Kit Oversize Fuel Tank Upon Custom Requirements Fuel Tanks-Pipes Heater</p>
Engine	<p>Fuel</p>
	<p>Air Inlet</p>
	<p>Exhaust</p>
	<p>Cooling / Heating</p>
	<p>Lube</p>
	<p>DC System - Starting/Changing</p>
Control Panel	<p>DSE 7310/7320/7410/7420-More Inputs & Outputs-Advanced Communications Features; DSE 8610/8710/8810- Load Share Module; Digital & Analogues Inputs Module DSE 2130 (for 7000 Series & Above); Analogue Inputs advanced Module DSE 2131-2133(for 7410 &Above); Digital relay Outputs Module DSE 2157 (for 7000 Series &Above); Analogue Outputs Module DSE 2152 (for 7410 & Above); Local & Remote enunciator Module DSE 2548 (for 7000 Series & Above); Display Modules DSE 2510/2520 (with 7310-7320); Remote Monitoring via: Web Interface (All Series), GSM (for 7000 Series & Above), RS485 (for 7000 Dry Contacts Alarm Indication for Customer Use Audible Alarm (Option for 6010/20; Standard for 7000 Series & Above); Voltage Adjust Potentiometer; Speed Adjust Potentiometer;</p>



METS ENERGY S.p.A.

Dimensions & Weights

	Length (mm)	Width (mm)	Height (mm)	Weight Dry
Open set (NB)	2720	1210	1794	1852
SPC Type S	4280	1210	2136	2675



Drawings for illustration purposes only.

WWW.METSENERGY.com