



METS ENERGY S A L

Model	MP200-Li		MP230@6-Li			
Frequency/Speed - Voltage	50HZ/1500 RPM- 230/400V		60HZ/1800 RPM- 230/400V		60HZ/1800 RPM- 277/480V	
Prime Power	200 KVA	160 KW	225 KVA	180 KW	230 KVA	185 KW
Standby Power	220 KVA	176 KW	247.5 KVA	198 KW	253 KVA	202.4 KW



Image for illustration purposes only.

Features

Engine	Perkins ,1306A-E87TAG3 , Made in UK, in accordance to ISO3046 ,ISO8528,DIN6271
Alternator	Linz, Pro 28Sc/4 , Made in Italy, complying to the following norms: EN60034-1/ UL1004B/ CAN/ CSA,ISO8538, EN55011
Control Panel	Deep sea, M-DCM-317B ,Made in UK, complying to the norms: comply to the norms BS EN 61000, BS EN 60950, BS EN 60068
Base Frame	Black steel with Anti-vibration pads, Built in fuel tank
Sound Proof Canopy	Modular SPC, Powder Coated, Extremely Durable, Designed to Reduce Sound Level with Maximum Service Accessibility and Minimum Foot Prints
Worldwide Support	Mets Energy Products are distributed through its PowerMets International Network For more information kindly check our website www.metsenergy.com

Rating Definitions and Conditions

Prime Rating	The power available for an unlimited hour usage with an average load factor of 80% of the published prime power over each 24 hours period. A 10 % overload is available for 1Hr every 12 hours.
Standby Rating	The power limited to 500 hours annual usage with an average load factor of 80% of the published standby power rating over each 24-hour period. Up to 300 hours of annual usage may be run continuously. No overload is permitted on standby power.
	KVA Rating @ 0.8 P.F

Due to continuous product development, we reserve the right to change specifications at any time without prior notice.

rev0_MP200-Li/MP230@6-Li_150213

Engine Perkins, 1306A-E87TAG3, 4 Stroke Cycle, Diesel

Structure	Number of Cylinders	6		
	Engine Build	In line		
	Bore	116.6 mm		
	Stroke	135.9 mm		
	Displacement	8.7 L		
	Compression Ratio	16.9 /1		
	Aspiration	Turbocharged		
	Cooling	A /A		
Fuel	Fuel Tank	1500 rpm Built in fuel tank 447 for 10 hours operation @ full load	1800 rpm Built in fuel tank 447 for 9 hours operation @ full load	
	Fuel System	Direct injection		
	Fuel Recommended	N°2 Diesel		
	Fuel System Make (ECM)	-		
		1500 rpm	1800 rpm	
	Delivery Flow Rate (l/hr)	TBA		TBA
	Fuel Consumption	ECM 1300		
	100% Load (g/kWh-L/hr)	207 (45.2)		211 (51.5)
	75% Load (g/kWh-L/hr)	213 (35)		211(38.5)
	50% Load (g/kWh-L/hr)	219 (24)		218 (26.5)
Cooling system	Engine Coolant Capacity		37.2 L	
	Air Flow-Radiator	6250 l/s	8000 l/s	
	radiator with 50 degree ambient capability Cooling Package & Air Cleaner Kit Thermostatically-controlled system			
Air Inlet	Air Intake Engine (Clean Filter/Dirty)	2.5/ 6.22 Kpa		
Exhaust System	Exhaust Gas Temperature (Prime)	TBA	NA	
	Exhaust Gas Flow (Prime)	TBA	NA	
	Maximum Exhaust System Back Pressure	10.7 kPa	10.7 kPa	
	Muffler	residential (20→25 dB)	industrial(15→25 dB)	
	Stainless Steel exhaust flex-fittings			
DC System-Starting/Charging	Cranking Battery Voltage	24 V		
	Battery Charging Alternator	45 A		
Heat Rejection(prime)	Dc Voltage Monitoring via control panel			
	Radiated Heat to Ambient (Prime)	34 kW	37 kW	
	Heat Rejection to Coolant (Prime)	88 kW	98kW	
	Heat Rejection to Exhaust (Prime)	103 kW	116 kW	
	Heat Rejection to intercooler (prime)	27 kW	30 kW	
Lube System	Lubricating System Oil Capacity	26.4 L		
Governor	Mechanical			



METS ENERGY S A L

Alternator Linz, Pro 28Sc/4

Structure	Insulation System	Class H	
	Winding Pitch	2/3 to minimize harmonics effects	
	Number of Poles	4	
	Number of Bearings	Single bearing	
	Winding Leads	12	
	Power Factor	0.8	
	Over Speed Capability (% of	2250 Rpm (150%)	
	Wave Form Distortion	3 % @ full Load , 3% @ no Load	
	Telephone Interference	THF< 2%	
	IP Rating (Protection)	IP23(other Protection on request)	
AVR	HVR11 (1-phase sensing)/ option HVR30 for 3-phase sensing)		
	Synchronous, 3 phase, Brushless & Self ventilated		
		1500 rpm	1800 rpm
Power Switching	3-P Circuit Breaker, MCCB	300A	350A
Temperature	Temperature Rise	125/40 °C	
Control & Voltage Regulator	Control System (Standard)	Self excited	
	Voltage Regulator (AVR)	HVR11 (1-phase sensing)/ option HVR30 for 3-phase sensing	
	% Of Voltage Regulation	± 1.0 %	
Motor Starting Capacity@30%	if voltage 230/400V	TBA	
Voltage Dip	if voltage 277/480V	TBA	

Standard Controller, M-DCM-317D(CAN)



Control	<ul style="list-style-type: none"> Auto/Start/Stop Control Emergency Stop Pushbutton/ Alarm Acknowledge Engine Cool Down Timer Warm-up Timer Load Switching Timer Engine Cycle Crank
Indications	<ul style="list-style-type: none"> Operating Hours 3 Phase Generator Voltage Sensing & Monitoring Current Protection & Monitoring Power Measurement (kW, kVA, kVAR, kWh, kVAh, kVArh, pf) Frequency Monitoring (Hz) Oil Pressure/Coolant Temperature/Fuel Level Monitoring Battery Voltage Monitoring (DC) Alarm Acknowledge
Warning & Shutdown Alarms	<ul style="list-style-type: none"> Generator Over/Under Voltage & Frequency Crank Disconnect (Failure to Start) Under/Over Speed Over Current Low oil pressure High Water Temperature Low Fuel Level Low Water Level
Features	<ul style="list-style-type: none"> IP 65 (if ordered with gasket) Basic Scheduler 8-35 VDC Supply Digital Inputs(4)- Outputs(4 MPU/ 6 CAN) Event Log (5 shutdowns)

Optional Accessories

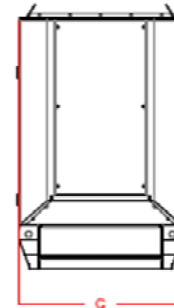
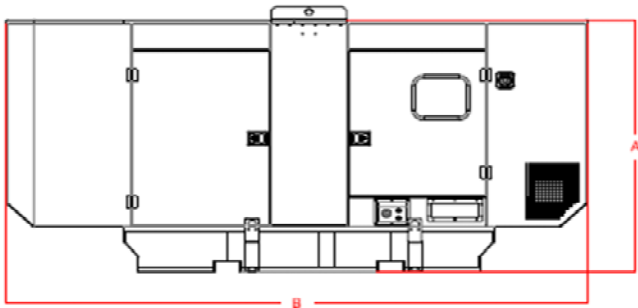
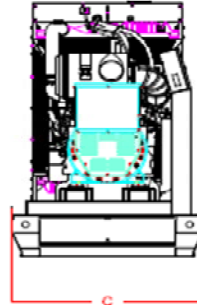
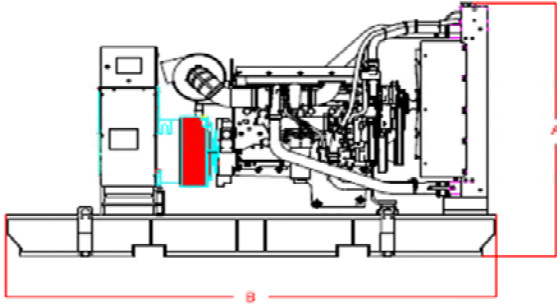
Alternator	<ul style="list-style-type: none"> AVR (3 phase Sensing) Reactive Droop Winding Temperature Detectors Anti- Condensation Heaters Excitation with auxiliary exciter (PMG)
Power Switching	<ul style="list-style-type: none"> 4-P Circuit Breaker Special Brands (ABB- MG- Siemens...) Motorized Operation Shunt Trip Under Voltage Trip UVT Residual Current Protection Ground Fault Protection Earthing Kit Surge Arrestor

Optional Accessories (continues)

	<p>Micro-Diesel Filter for Micro-Particles Filtration Automatic Fuel Refilling System Fuel Water Separator (2000/10) Mechanical Fuel Level Kit Oversize Fuel Tank Upon Custom Requirements Fuel Tanks-Pipes Heater</p>
Engine	<p>Fuel</p>
	<p>Air Inlet</p>
	<p>Exhaust</p>
	<p>Cooling / Heating</p>
	<p>Lube</p>
	<p>DC System - Starting/Changing</p>
Control Panel	<p>DSE 7310/7320/7410/7420-More Inputs & Outputs-Advanced Communications Features; DSE 8610/8710/8810- Load Share Module; Digital & Analogues Inputs Module DSE 2130 (for 7000 Series & Above); Analogue Inputs advanced Module DSE 2131-2133(for 7410 &Above); Digital relay Outputs Module DSE 2157 (for 7000 Series &Above); Analogue Outputs Module DSE 2152 (for 7410 & Above); Local & Remote enunciator Module DSE 2548 (for 7000 Series & Above); Display Modules DSE 2510/2520 (with 7310-7320); Remote Monitoring via: Web Interface (All Series), GSM (for 7000 Series & Above), RS485 (for 7000 Dry Contacts Alarm Indication for Customer Use Audible Alarm (Option for 6010/20; Standard for 7000 Series & Above); Voltage Adjust Potentiometer; Speed Adjust Potentiometer;</p>

Dimensions & Weights

	Length (mm)	Width (mm)	"C"	Height (mm)	Weight Dry
Open set (NB)	2720	1210		1794	1852
SPC Type S	4280	1210		2136	2675



Drawings for illustration purposes only.

WWW.METSENERGY.com