



METS ENERGY S A L

Model	MP1500-L		NA			
Frequency/Speed - Voltage	50HZ/1500 RPM- 230/400V		60HZ/1800 RPM- 230/400V		60HZ/1800 RPM- 277/480V	
Prime Power	1500 KVA	1200 KW	NA	NA	NA	NA
Standby Power	1650 KVA	1320 KW	NA	NA	NA	NA



Image for illustration purposes only.

Features

Engine	Perkins ,4012-46TAG2A , Made in UK, in accordance to ISO3046 ,ISO8528,DIN6271
Alternator	LeRoySomer ,LSA50.2 L8 , Made in France, complying to the norms: IEC 60034, NEMA MG 1.22, ISO 8528/3, CSA, UL 1446, UL 1004B
Control Panel	Deap sea, M-DCM-417(7320) ,Made in UK, complying to the norms: BS EN60034/ BS 5000/ VDE 0530/ NEMA MG 1-32/ IEC 34/ CSA C22.2-100/ AS 1359
Base Frame	Black steel with Anti-vibration pads, Built in fuel tank
Sound Proof Canopy	Modular SPC, Powder Coated, Extremely Durable, Designed to Reduce Sound Level with Maximum Service Accessibility and Minimum Foot Prints
Worldwide Support	Mets Energy Products are distributed through its PowerMets International Network For more information kindly check our website www.metsenergy.com

Rating Definitions and Conditions

Prime Rating	The power available for an unlimited hour usage with an average load factor of 80% of the published prime power over each 24 hours period. A 10 % overload is available for 1Hr every 12 hours.
Standby Rating	The power limited to 500 hours annual usage with an average load factor of 80% of the published standby power rating over each 24-hour period. Up to 300 hours of annual usage may be run continuously. No overload is permitted on standby power.
KVA Rating @ 0.8 P.F	

Due to continuous product development, we reserve the right to change specifications at any time without prior notice.

Rev0_MP1500-L_150401



METS ENERGY S A L

Engine Perkins, 4012-46TAG2A , 4 Stroke Cycle, Diesel

Structure	Number of Cylinders	12	
	Engine Build	60 ° V	
	Bore	160 mm	
	Stroke	190 mm	
	Displacement	45.842 L	
	Compression Ratio	13.6 /1	
	Aspiration	Turbocharged	
	Cooling	A /A	
		1500 rpm	1800 rpm
	Fuel Tank		
		NA	NA
Fuel	Fuel System		Direct injection
	Fuel Recommended		N°2 Diesel
	Fuel System Make (ECM)		-
		1500 rpm	1800 rpm
	Delivery Flow Rate (l/hr)		
	Fuel Consumption		
	100% Load (g/kWh-L/hr)	200 (301)	NA
75% Load (g/kWh-L/hr)	201 (237)	NA	
50% Load (g/kWh-L/hr)	203 (162)	NA	
Cooling system	Engine Coolant Capacity		216 L
	Air Flow-Radiator	32400 L/s	NA
	radiator with 50 degree ambient Cooling Package & Air Cleaner Kit		
	Thermostatically-controlled system		
Air Inlet	Air Intake Engine (Clean Filter/Dirty)	2 / 4 kPa	
Exhaust System	Exhaust Gas Temperature (Prime)	450 °C	NA
	Exhaust Gas Flow (Prime)	5250 l/s	NA
	Maximum Exhaust System Back Pressure	5 kPa	NA
	Muffler	residential (20→25 dB)	industrial(15→25 dB)
	Stainless Steel exhaust flex-fittings		
DC System-Starting/Charging	Cranking Battery Voltage	24 V	
	Battery Charging Alternator	40 A	
	Dc Voltage Monitoring via control panel		
Heat Rejection(prime)	Radiated Heat to Ambient (Prime)	96 kW	NA
	Heat Rejection to Coolant (Prime)	457 kW	NA
	Heat Rejection to Exhaust (Prime)	1015 kW	NA
	Heat Rejection to intercooler (prime)	301 kW	NA
Lube System	Lubricating System Oil Capacity	177.6 L	
Governor	Electronic		

Due to continuous product development, we reserve the right to change specifications at any time without prior notice.

Rev0_MP1500-L_150401



METS ENERGY S A L

Alternator, LSA50.2 L8

Structure	Insulation System	Class H	
	Winding Pitch	2/3 to minimize harmonics effects	
	Number of Poles	4	
	Number of Bearings	Single bearing	
	Winding Leads	12	
	Power Factor	0.8	
	Over Speed Capability (% of	2250 Rpm (150%)	
	Wave Form Distortion	no load < 4 % - on load < 4%	
	Telephone Interference	TIF < 50	
	IP Rating (Protection)	IP23	
AVR	A R E P or PMG		
	Synchronous, 3 phase, Brushless & Self ventilated		
		1500 rpm	1800 rpm
Power Switching	3-P Circuit Breaker, ACB	2500A	NA
Temperature	Temperature Rise	125/40 °C	
Control & Voltage Regulator	Control System (Standard)	A R E P or PMG	
	Voltage Regulator (AVR)	R 448	
	% Of Voltage Regulation	± 0,5 %	
Motor Starting Capacity@30%	if voltage 230/400V	TBA	
Voltage Dip	if voltage 277/480V	TBA	

Due to continuous product development, we reserve the right to change specifications at any time without prior notice.

Rev0_MP1500-L_150401



METS ENERGY S A L

Standard Controller, M-DCM-417(7320)

Control	<ul style="list-style-type: none"> Fuel tank monitoring Emergency Stop Pushbutton/ Alarm Acknowledge Engine Cool Down Timer Warm-up Timer Load Switching Timer Engine Cycle Crank 	
Indications	<ul style="list-style-type: none"> Operating Hours 3 Phase Generator Voltage Sensing & Monitoring Current Protection & Monitoring Power Measurement (kW, kVA, kVAr, kWh, kVAh, kVArh, pf) Frequency Monitoring (Hz) Oil Pressure/Coolant Temperature/Fuel Level Monitoring Battery Voltage Monitoring (DC) Alarm Acknowledge 	
Warning & Shutdown Alarms	<ul style="list-style-type: none"> Generator Over/Under Voltage & Frequency Crank Disconnect (Failure to Start) Under/Over Speed Over Current Low oil pressure High Water Temperature Low Fuel Level Low Water Level 	
Features	<ul style="list-style-type: none"> IP 65 (if ordered with gasket) Basic Scheduler 8-35 VDC Supply Digital Inputs(4)- Outputs(4 MPU/ 6 CAN) Event Log (5 shutdowns) 	

Optional Accessories

Alternator	<ul style="list-style-type: none"> AVR (3 phase Sensing) Reactive Droop Winding Temperature Detectors Anti- Condensation Heaters Excitation with auxiliary exciter (PMG)
Power Switching	<ul style="list-style-type: none"> 4-P Circuit Breaker Special Brands (ABB- MG- Siemens...) Motorized Operation Shunt Trip Under Voltage Trip UVT Residual Current Protection Ground Fault Protection Earthing Kit Surge Arrestor

Due to continuous product development, we reserve the right to change specifications at any time without prior notice.

Rev0_MP1500-L_150401



Optional Accessories^(continues)

Engine	Fuel	Micro-Diesel Filter for Micro-Particles Filtration				
		Automatic Fuel Refilling System				
		Fuel Water Separator (2000/40)				
		Mechanical Fuel Level Kit				
		Oversize Fuel Tank Upon Custom Requirements				
		Fuel Tanks-Pipes Heater				
		Optional Built in fuel tank 180 L operation full load (Height will be increased by 100 mm and weight by 20				
		Air Inlet	Sy-klone Air Cleaner Installed @ Air Intake System			
		Exhaust	Muffler: Critical (25→30 dB) Hospital (35→40 dB) Elbow, Flanges, Expanders & Y Adaptors			
		Cooling / Heating	Radiator with 35 °C or 60 °C Ambient Capability Jacket Water Heater			
DC System - Starting/Changing	Lube	Manual Sump Drain Pump				
		Semi-Rotator Hand Pump				
		DC System - Starting/Changing	DC System - Starting/Changing	Mains Battery Charger 24 V DC-5A		
				Battery Charger 10A-20A on Request		
				Automatic Battery Charger on Request		
				Battery Disconnect Switch		
				DC/AC Current Monitoring (Ammeter)		
				Oversize Battery		
				Control Panel	Control Panel	DSE 7310/7320/7410/7420-More Inputs & Outputs-Advanced Communications Features;
						DSE 8610/8710/8810- Load Share Module;
Digital & Analogues Inputs Module DSE 2130 (for 7000 Series & Above);						
Analogue Inputs advanced Module DSE 2131-2133(for 7410 &Above);						
Digital relay Outputs Module DSE 2157 (for 7000 Series &Above);						
Analogue Outputs Module DSE 2152 (for 7410 & Above);						
Local & Remote enunciator Module DSE 2548 (for 7000 Series & Above);						
Display Modules DSE 2510/2520 (with 7310-7320);						
Remote Monitoring via: Web Interface (All Series), GSM (for 7000 Series & Above), RS485 (for Dry Contacts Alarm Indication for Customer Use						
Audible Alarm (Option for 6010/20; Standard for 7000 Series & Above);						
Voltage Adjust Potentiometer;						
Speed Adjust Potentiometer;						

Due to continuous product development, we reserve the right to change specifications at any time without prior notice.

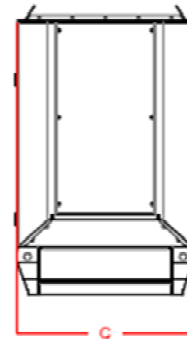
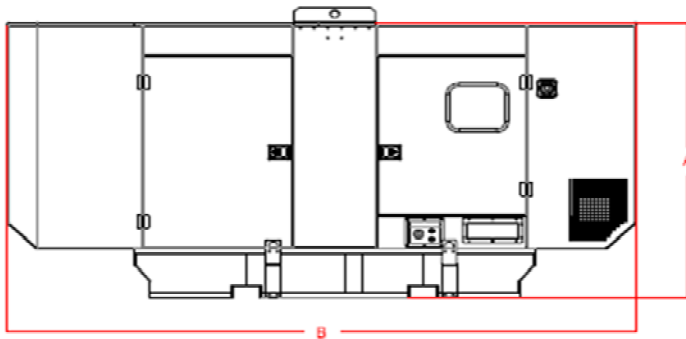
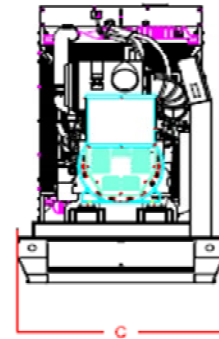
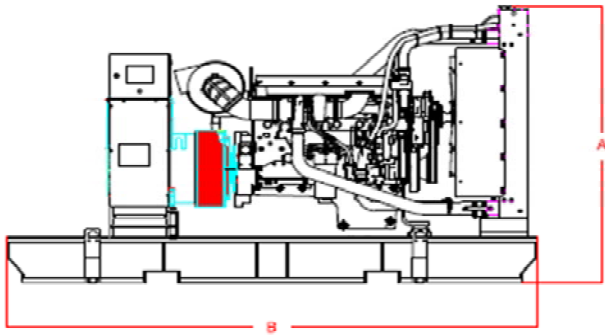
Rev0_MP1500-L_150401



METS ENERGY S A L

Dimensions & Weights

	Length (mm)	Width (mm)	Height (mm)	Weight Dry
Open set (NB)	3850	1320	2277	6000
SPC Type S	5500	2100	2500	7900



Drawings for illustration purposes only.

WWW.METSENERGY.com